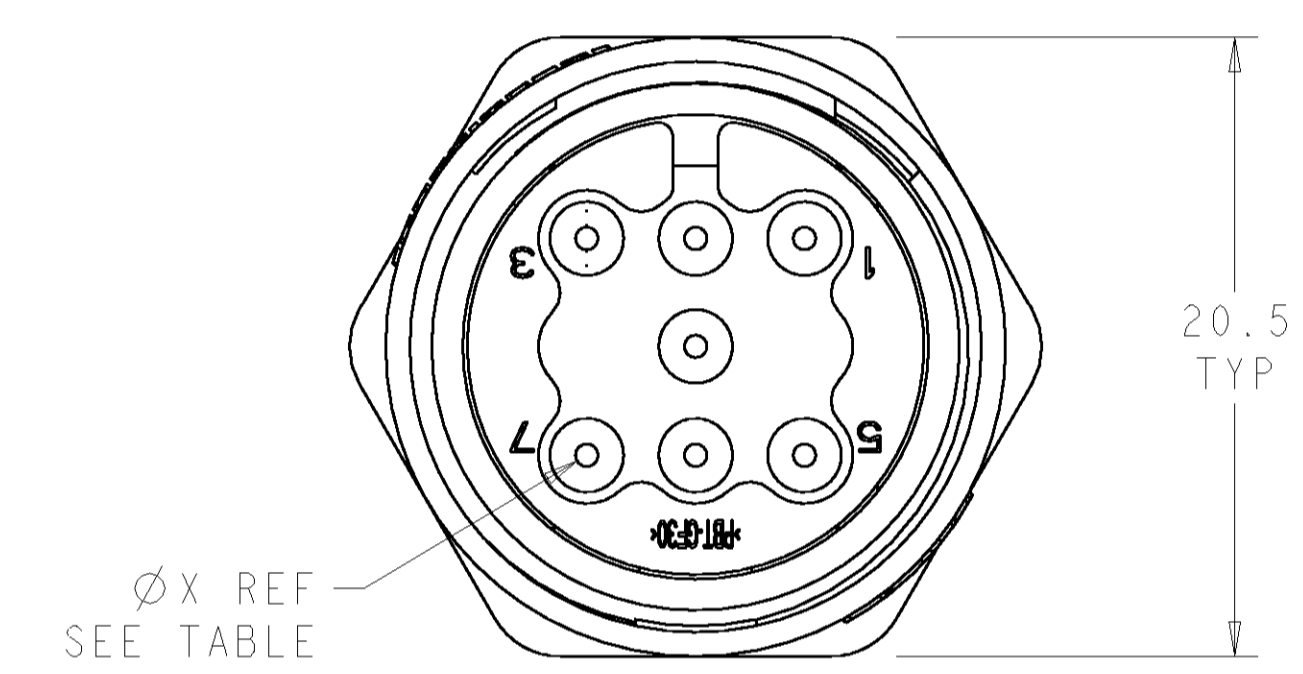
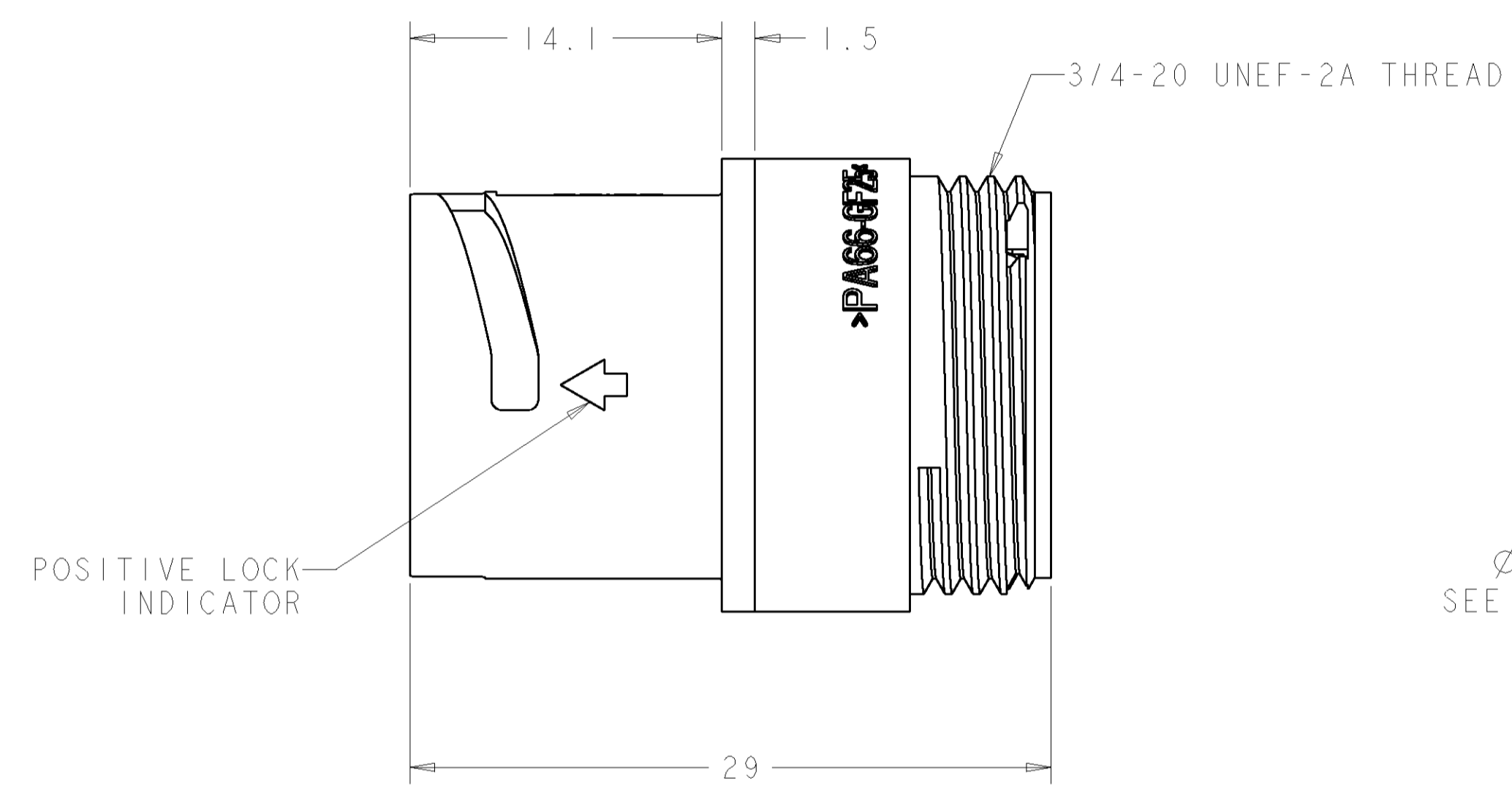
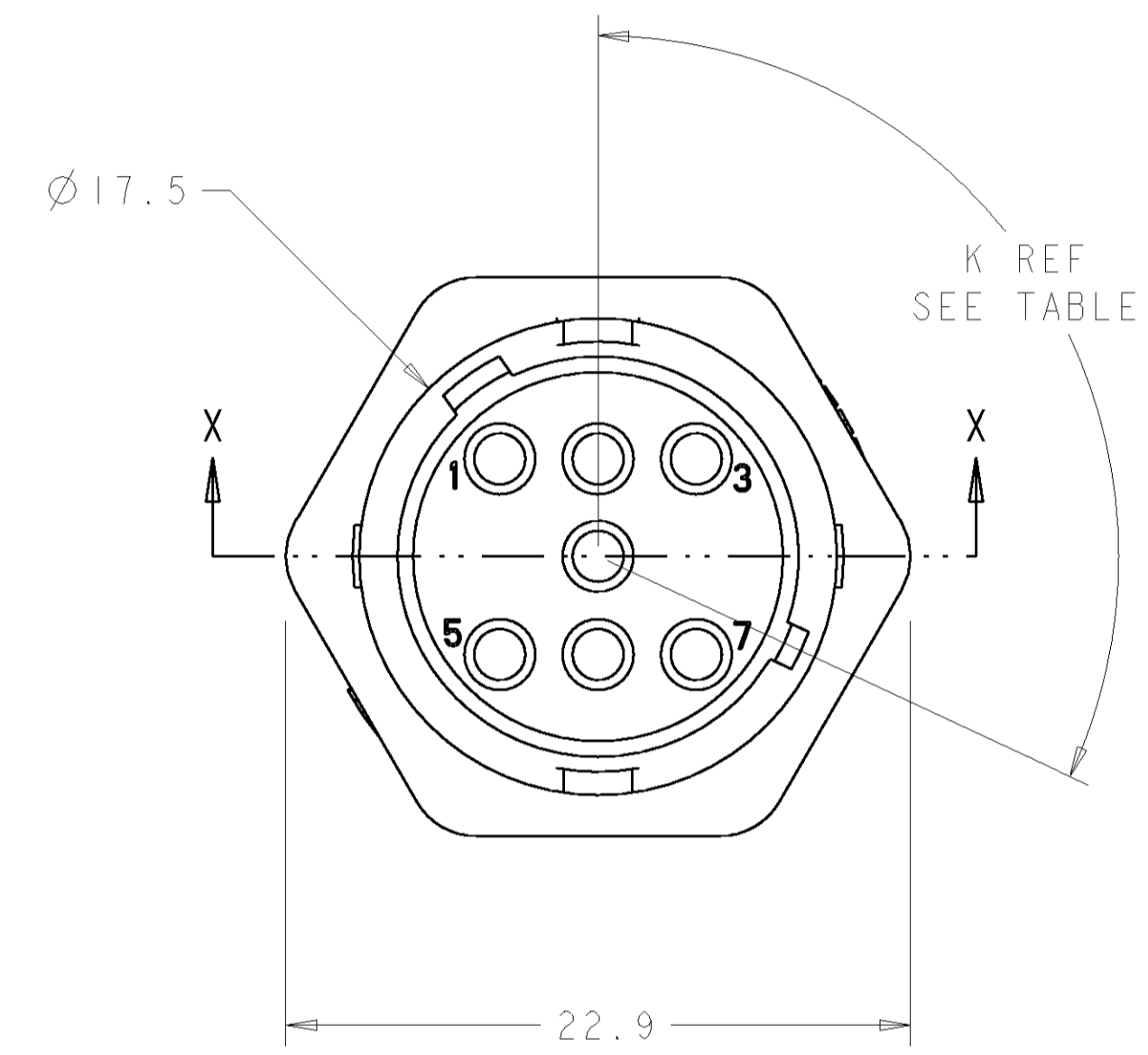
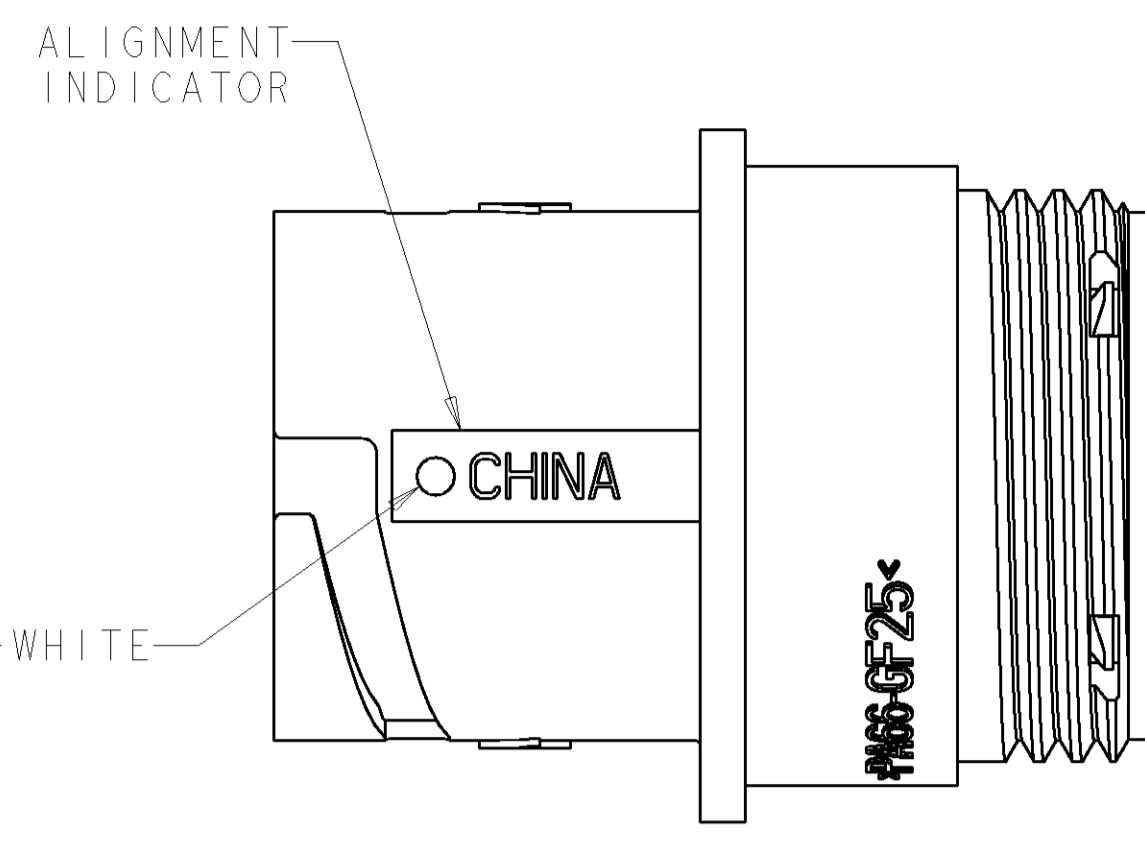
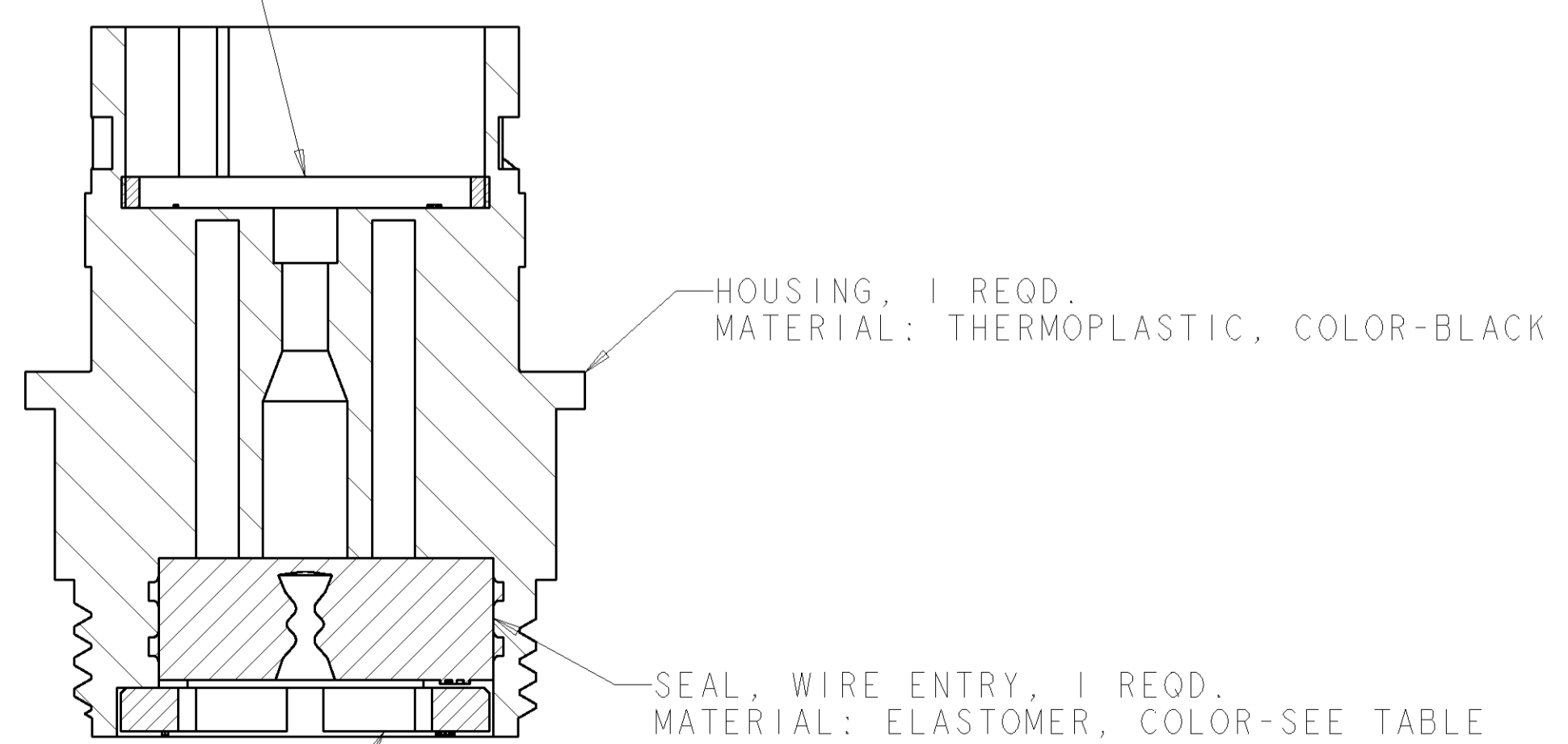


LOC		DIST		REVISIONS			
FT	0	P	LTR	DESCRIPTION	DATE	DWN	APVD
		A		REVISED EC 063B-0326-03	13JUN2003	SW	HW
		B		REVISED EC 063B-0390-04	25MAY2004	SW	HW



SEAL, PERIPHERAL, 1 REQD.
 MATERIAL: ELASTOMER, COLOR-GRAY



QUALIFICATION TEST PENDING

YELLOW	Ø0.75	135°	1445827-04
NATURAL	Ø1.5	115°	1445827-03
NATURAL	Ø1.5	135°	1445827-02
YELLOW	Ø0.75	115°	1445827-01
SEAL, WIRE ENTRY COLOR	ØX REF	K REF	PART NUMBER

<small>THIS DRAWING IS UNPUBLISHED. RELEASED FOR PUBLICATION. ALL RIGHTS RESERVED. THIS DRAWING IS THE PROPERTY OF TYCO ELECTRONICS CORPORATION. IT IS TO BE USED ONLY FOR THE SPECIFIC APPLICATION AND ORGANIZATION FOR WHICH IT WAS DESIGNED. NO PARTS OR SERVICES SHALL BE ORDERED OR MANUFACTURED FROM THIS DRAWING WITHOUT THE WRITTEN PERMISSION OF TYCO ELECTRONICS CORPORATION.</small>		DWN SHANE WIESE 22OCT2001 ENR G DOUTY 22OCT2001 APVD H WAKEEM 13JUN2003	Tyco Electronics Tyco Electronics Harrisburg, PA 17105-3608
DIMENSIONS: mm 	TOLERANCES UNLESS OTHERWISE SPECIFIED: 0 PLC ± 1 PLC ± 2 PLC ±0.13 3 PLC ± 4 PLC ± ANGLES ± FINISH -	NAME ASSEMBLY, SIZE 11, 7 POSITION, FREE HANGING, SEALED, MINI CPC SIZE CAGE CODE DRAWING NO RESTRICTED TO A 00779 C=1445827 -	SCALE 4:1 SHEET 1 OF 1 REV B
MATERIAL SEE CALLOUT	WEIGHT -	CUSTOMER DRAWING	